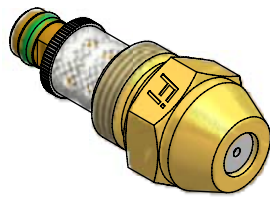
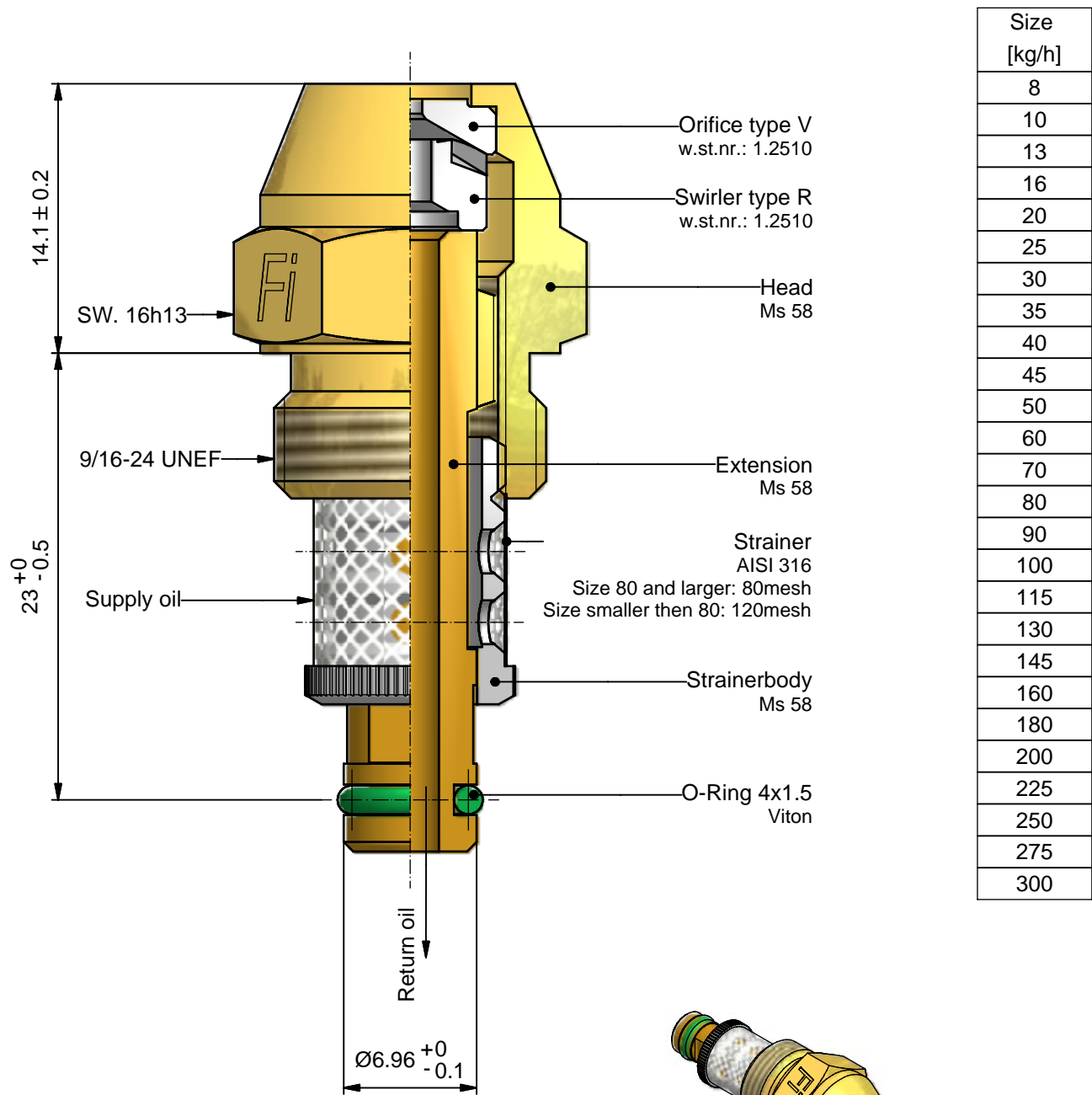




Atomizer 9
KB5-"Size"-60°

09-HML1-4G-E

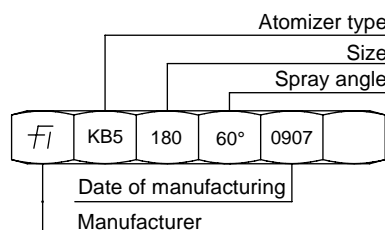
10-09-2007



ORDERING: please specify:

- Atomizer type
- Size
- Spray angle
- Quantity

Marking on Hexagon:



GENERAL DATA:

Test oil viscosity: 5 cSt.
 Supply pressure: 20 bar.
 Max. output with closed return line.
 Turn down 1:2 at return pressure 10 bar.
 Max. output: -3% 0%
 Spray angle: Max. output 60° +7°
 Turned down 60° +8°