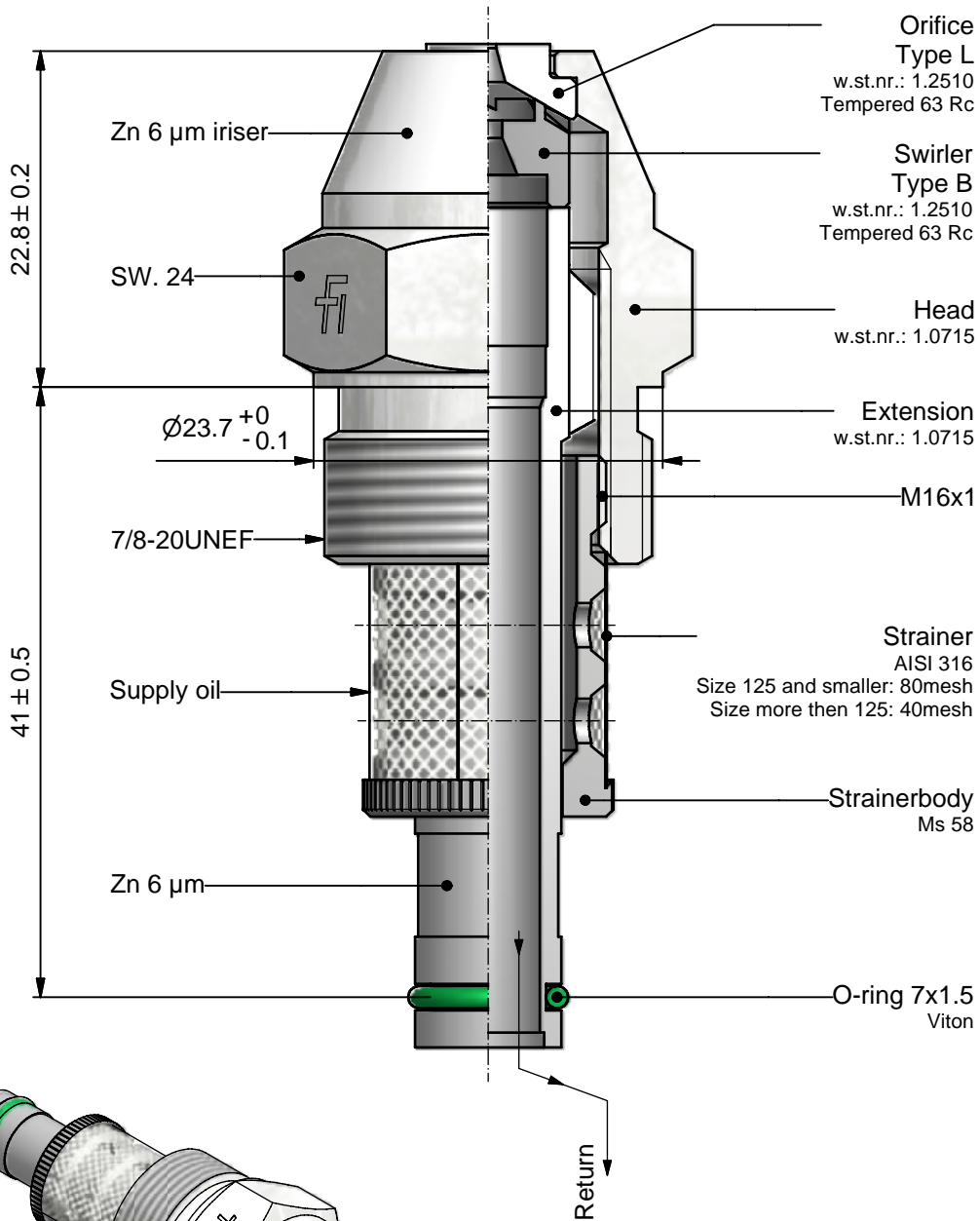




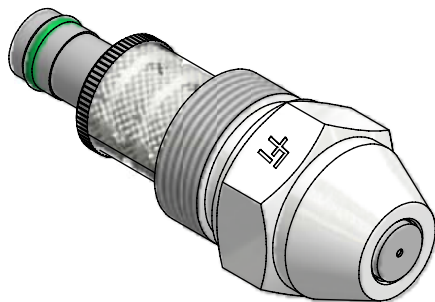
Atomizer 12
N1 - "size" - 50°

12-F1GM-4G-E

07-06-2007



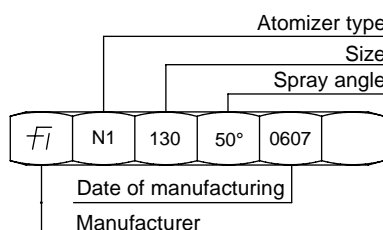
| size | [kg/h] |
|------|--------|
| 25 | |
| 32 | |
| 40 | |
| 50 | |
| 60 | |
| 70 | |
| 80 | |
| 90 | |
| 100 | |
| 115 | |
| 130 | |
| 145 | |
| 160 | |
| 180 | |
| 200 | |
| 225 | |
| 250 | |
| 275 | |
| 300 | |
| 330 | |
| 360 | |
| 400 | |
| 450 | |
| 500 | |
| 550 | |
| 600 | |
| 650 | |
| 700 | |
| 750 | |
| 800 | |
| 850 | |
| 900 | |
| 950 | |
| 1000 | |



ORDERING: please specify:

- Atomizer type
- Size
- Spray angle
- Quantity

Marking on Hexagon:



GENERAL DATA:

Test oil viscosity: 5 cSt.
Supply pressure: 25 Bar.
Turn down 1:4 at 7 bar return pressure.
Max. output: up to 80 0% +10%
up to 180 0% +7%
over 180 0% +5%
Spray angle: Max. output 50° +5°
Turned down 80° +10°