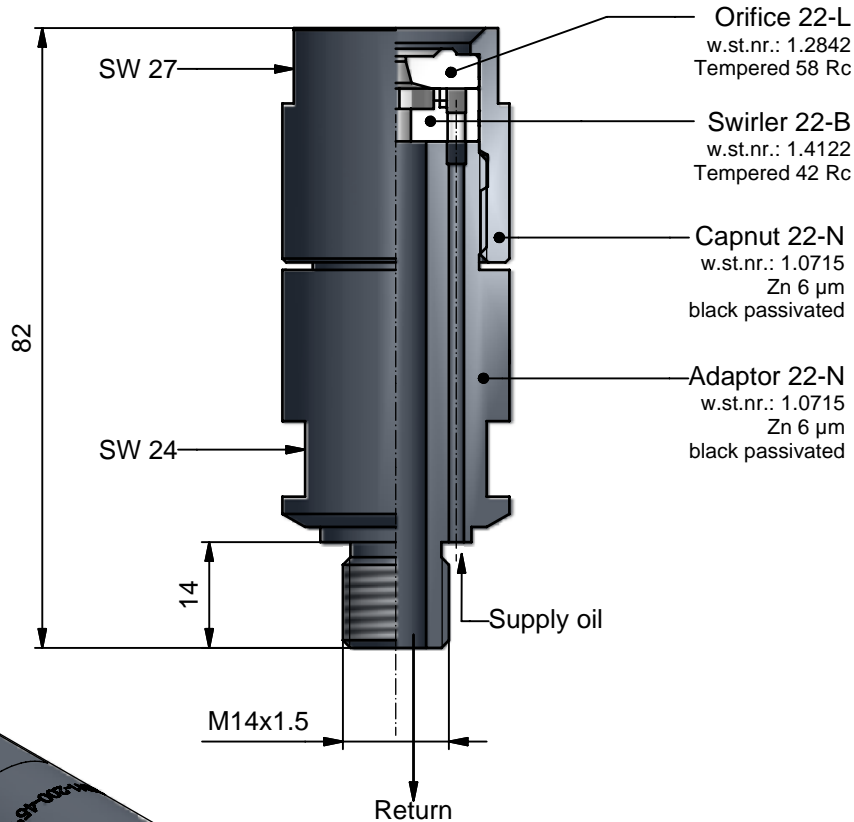
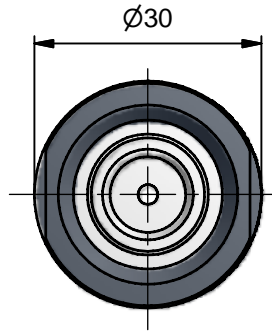




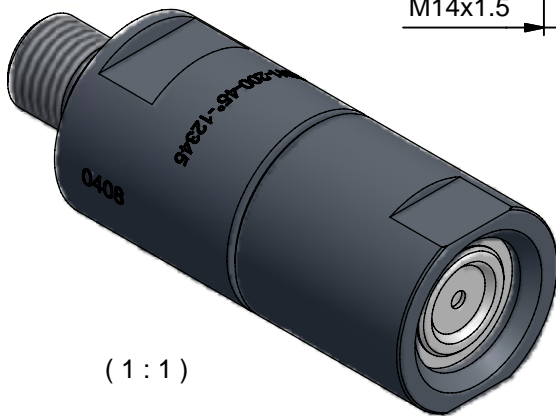
Atomizer 22
22N1-"size"-45°

22-DBF1-4G-E

02-04-2008



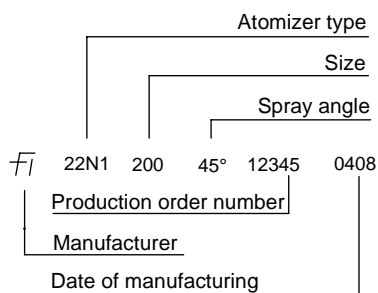
size [kg/h]
30
40
60
75
100
125
150
175
200
225
250
275
300
350
400
450
500
550
600
650
700
750
800
850
900
950
1000
1100
1200
1300
1400
1500



ORDERING: please specify:

- Atomizer type
- Size
- Spray angle
- Quantity

Marking:



GENERAL DATA:

Test oil viscosity: 5 cSt.
Supply pressure: 25 Bar.
Turn down 1:5 at 3 bar return pressure.
Max. output: up to 80 0% +10%
up to 180 0% +7%
over 180 0% +5%
Spray angle: Max. output 45° +5°
Turned down 70° +10°