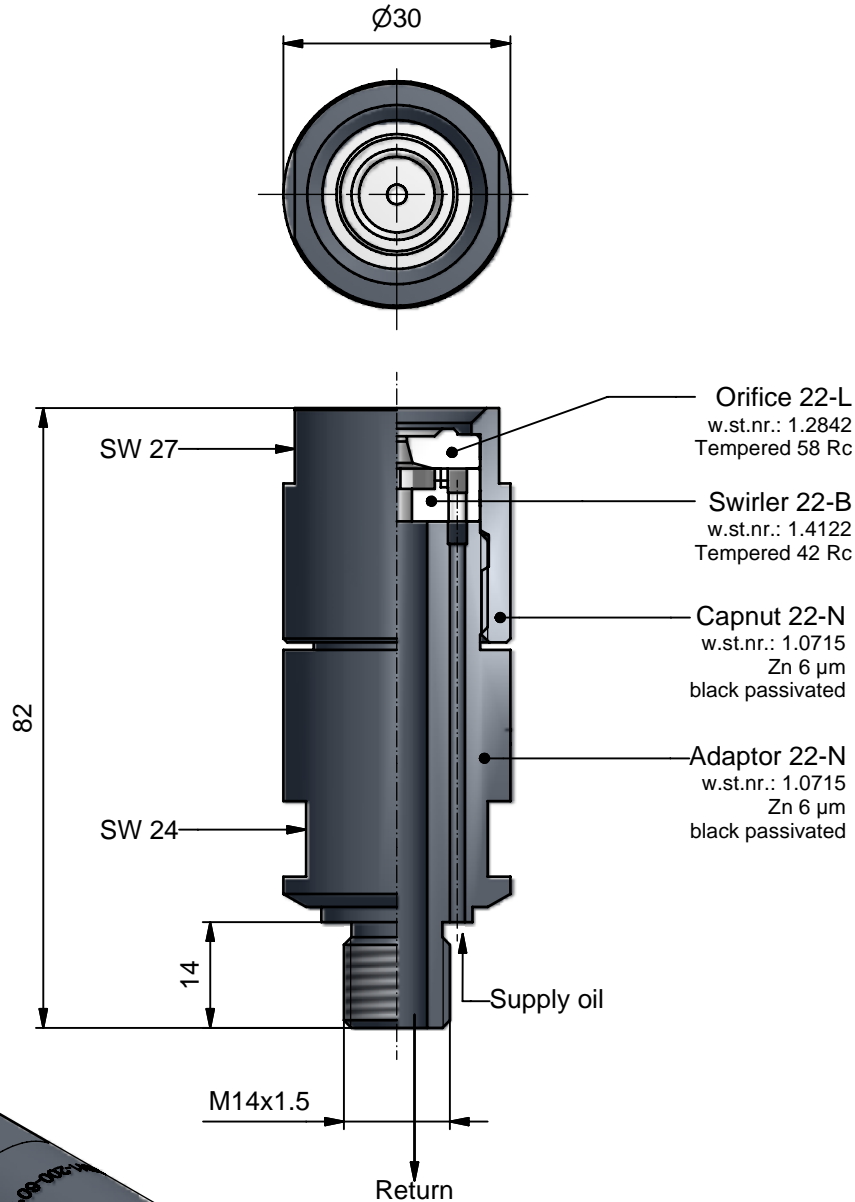




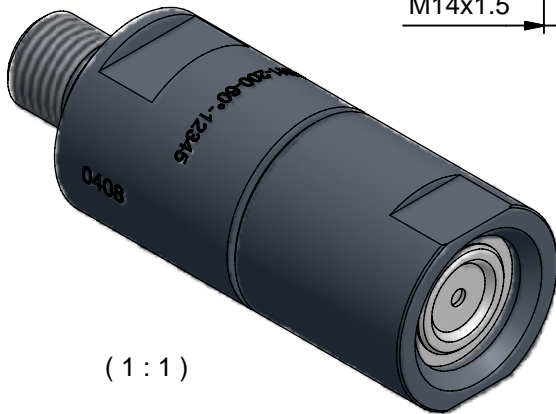
Atomizer 22
22N1-"size"-60°

22-DBL1-4G-E

15-07-2008



size [kg/h]
30
40
60
75
100
125
150
175
200
225
250
275
300
350
400
450
500
550
600
650
700
750
800
850
900
950
1000
1100
1200
1300
1400
1500

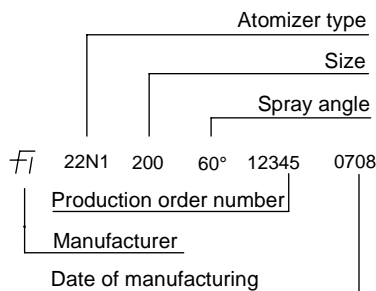


(1:1)

ORDERING: please specify:

- Atomizer type
- Size
- Spray angle
- Quantity

Marking:



GENERAL DATA:

Test oil viscosity: 5 cSt.
 Supply pressure: 25 Bar.
 Turn down 1:5 at 3 bar return pressure.
 Max. output: up to 80 0% +10%
 up to 180 0% +7%
 over 180 0% +5%
 Spray angle: Max. output 60° +5°
 Turned down 85° +10°