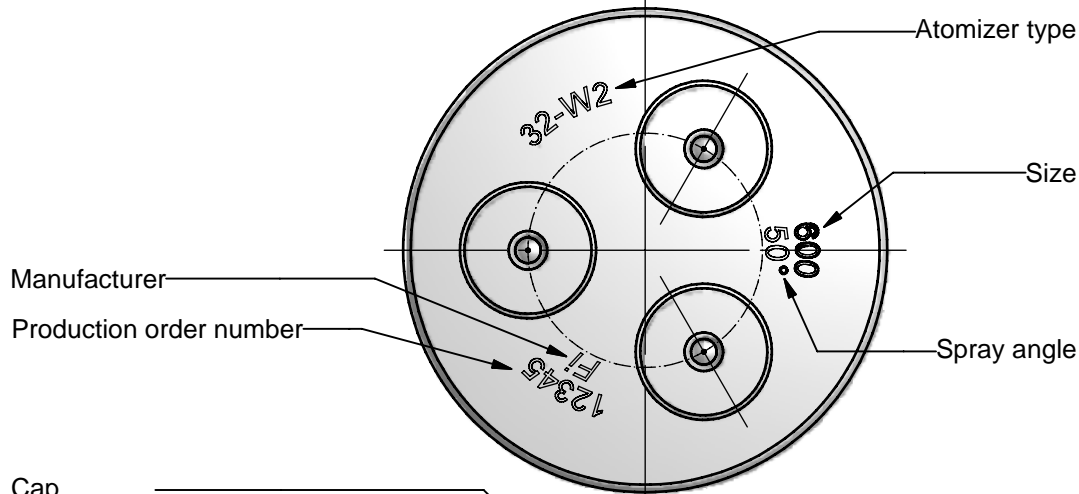




Triplet atomizer
32-W2-"Size"-50°

32-E1GM-4G-E

06-08-2007



Size [kg/h]
60
75
96
120
150
180
210
240
270
300
345
390
435
480
540
600
675
750
825
900
990
1080
1200
1350
1500
1650
1800
1950
2100
2250

Manufacturer
Production order number

Cap
w.st.nr.: 1.4122

Orifice
Type E
w.st.nr.: 1.2510
Tempered 63 Rc

Swirler
Type N
w.st.nr.: 1.2510
Tempered 63 Rc

Self locking nut
w.st.nr.: 1.0715
Zn 6 µm

Circlip
w.st.nr.: 1.4310

Support
w.st.nr.: 1.4122

Needle
w.st.nr.: 1.2767
Tempered 52 Rc

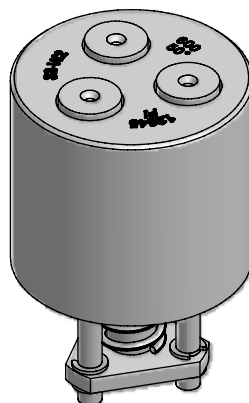
Spring
w.st.nr.: 1707s

Needle holder
w.st.nr.: 1.4122

Retaining washer
w.st.nr.: 1.4122

Supply oil

Return



GENERAL DATA:

Test oil viscosity: 5 cSt.
Supply pressure: 25 Bar.

Max. output with closed returnline.

Turn down 1:4 up to 300 at 10 bar return pressure,
over 300 at 8 bar return pressure.

Max. output	up to 240	0% +10%
	up to 540	0% +7%
	over 540	0% +5%

Spray angle: Max. output	50°+5°
Turned down	68°+10°

ORDERING please specify:

- Atomizer type
- Size
- Spray angle
- Quantity