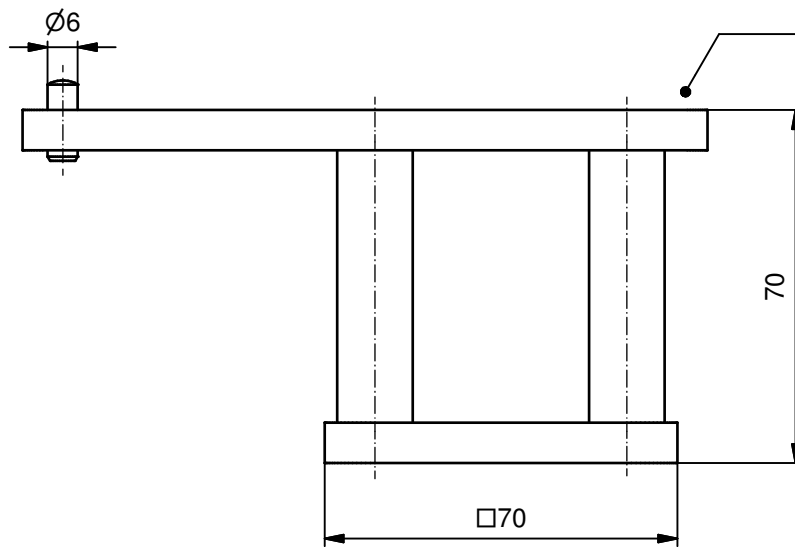




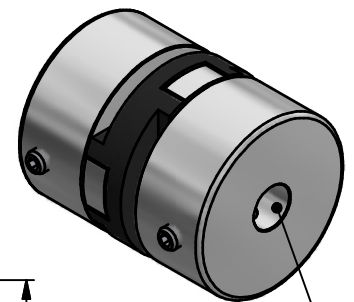
Adaptor regulator 32-VK
for Siemens SQM33 /40 /41 /45
Ø10 with D-shaft

32-PN71-4F-E

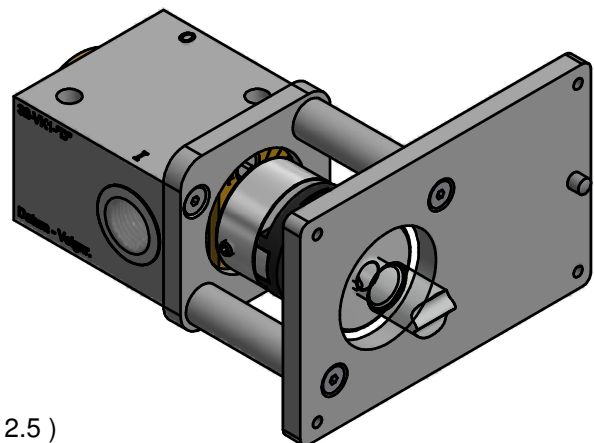
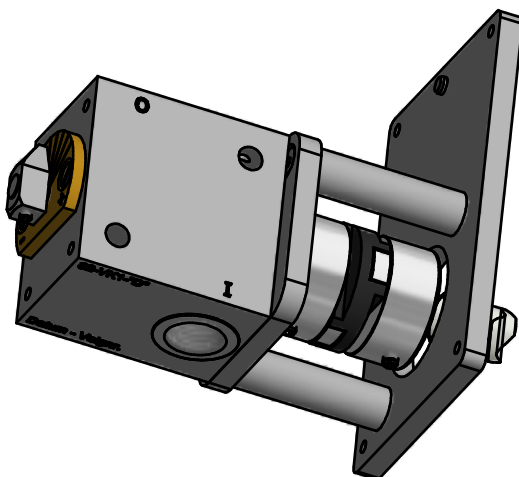
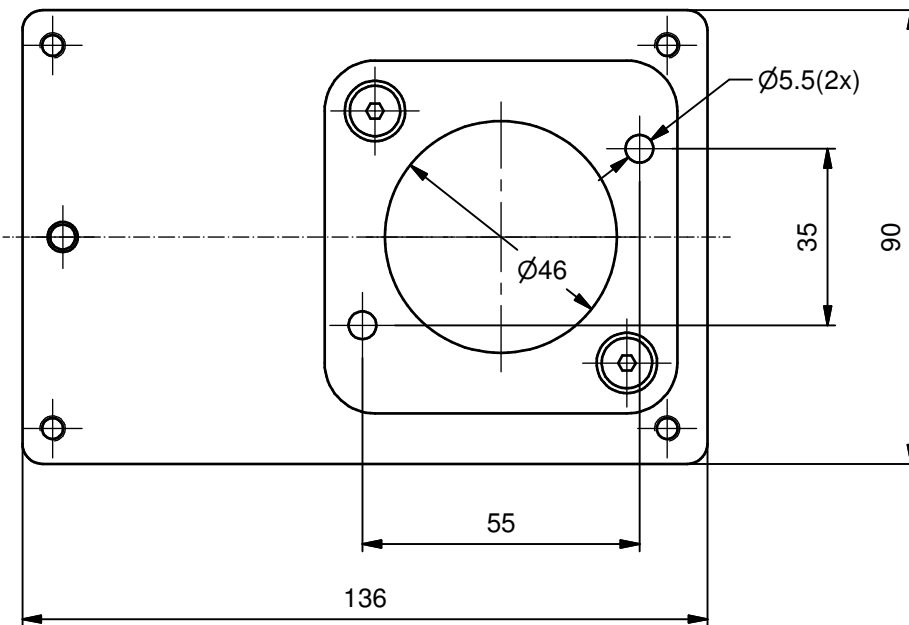
12-09-16



Aluminium EN AW-2011
Werkst.nr: 3.1655



Ø10mm D-shaft



(1 : 2.5)