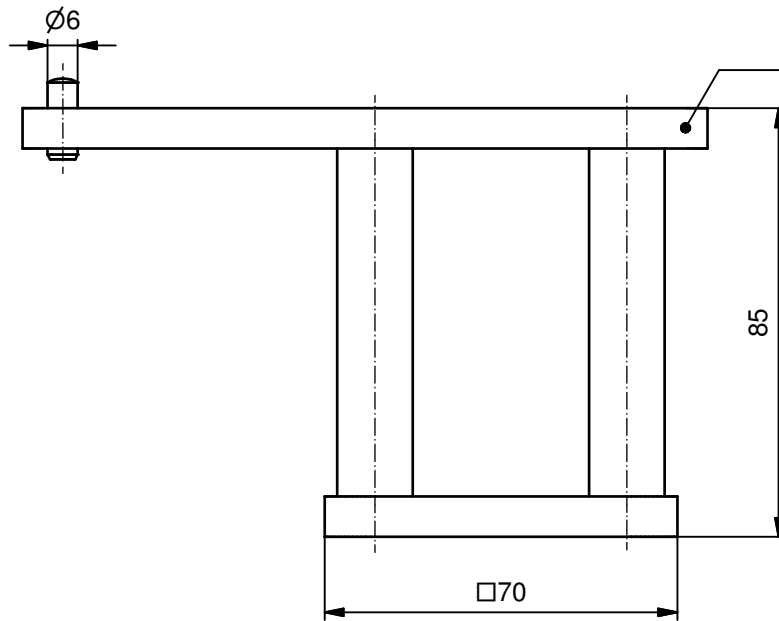




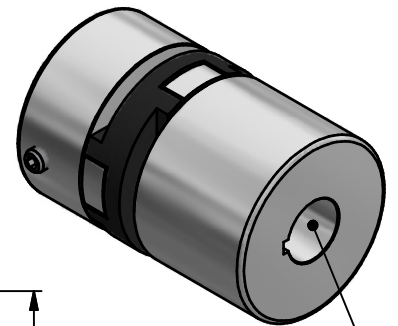
Adaptor regulator 32-VK
For Siemens SQM48
Ø14 with keygroove

32-PN71-4G-E

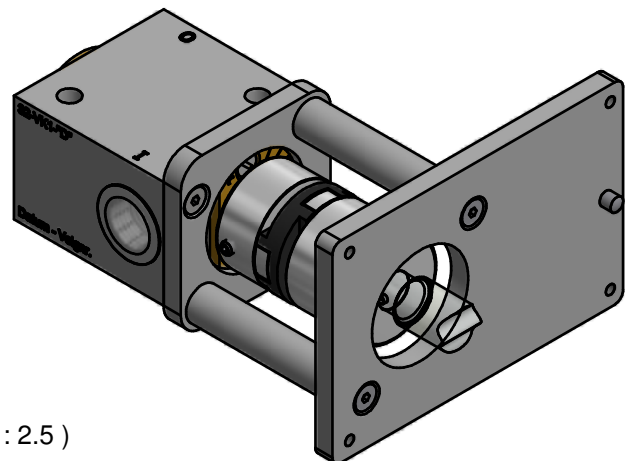
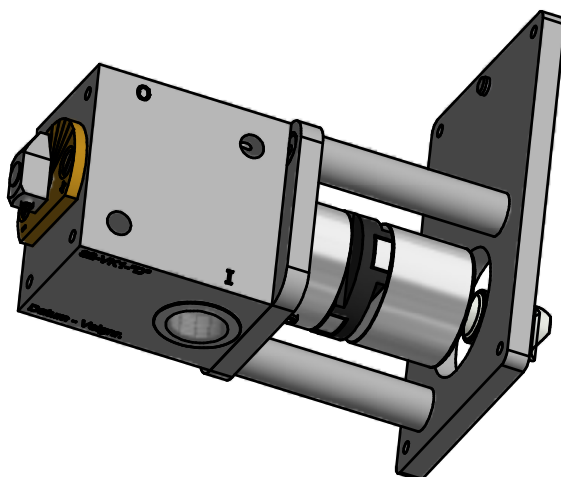
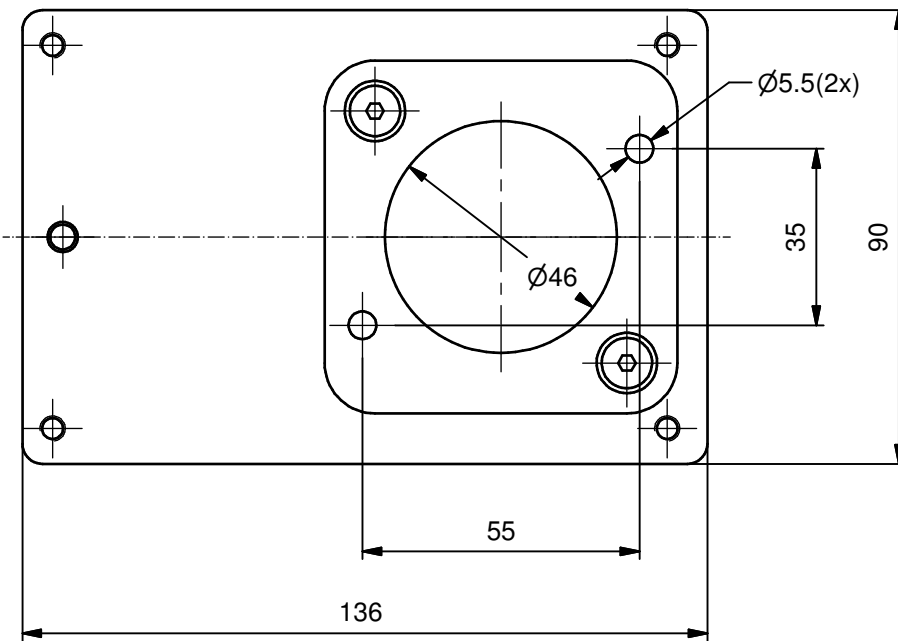
12-09-16



Aluminium EN AW-2011
Werkst.nr: 3.1655



Ø14mm keygroove



(1 : 2.5)