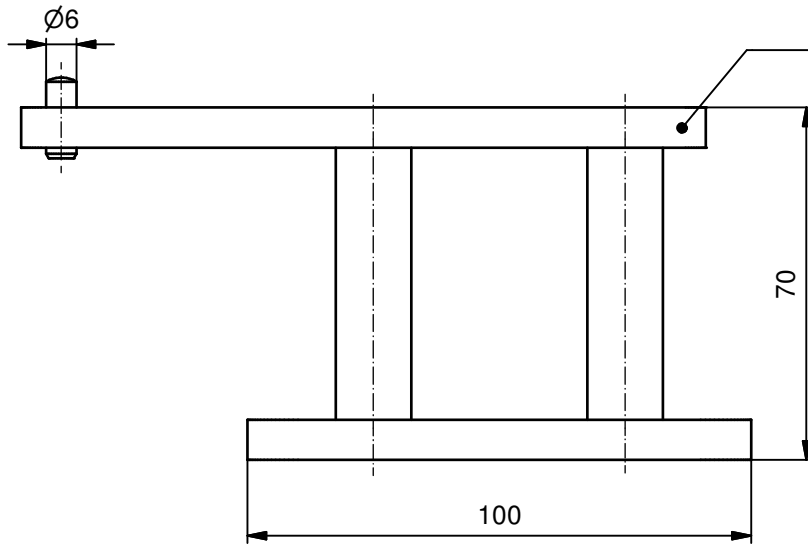




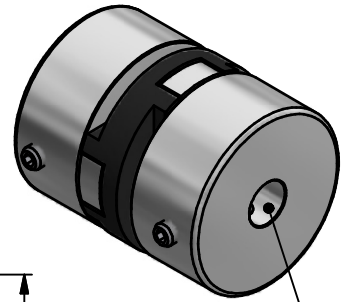
Adaptor regulator 40-VZ  
for Siemens SQM40 /41  
Ø10 with D-shaft

40-PN71-4G-E

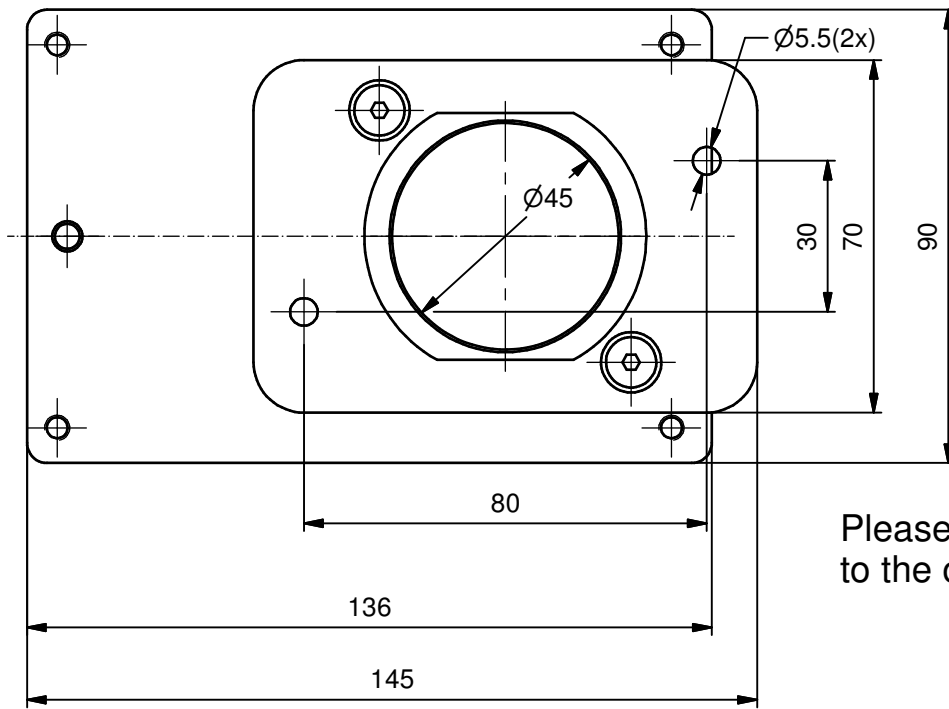
19-02-18



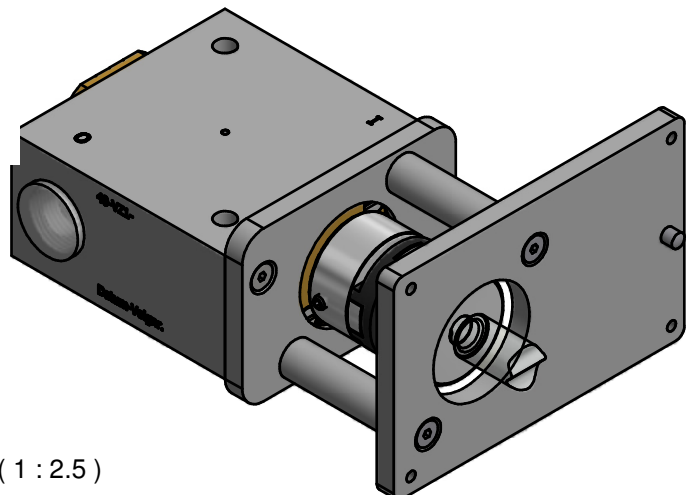
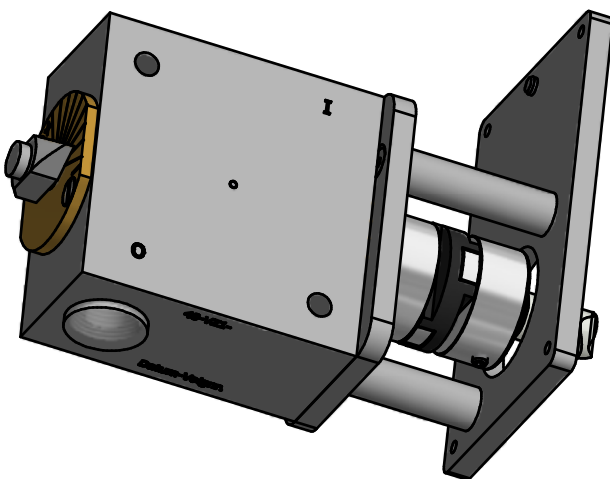
Aluminium EN AW-2011  
Werkst.nr: 3.1655



Ø10mm D-shaft



Please mount the pointer  
to the other side



(1 : 2.5)