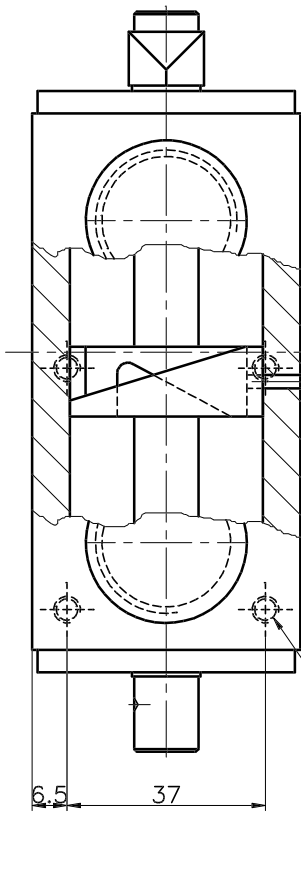


Pointer

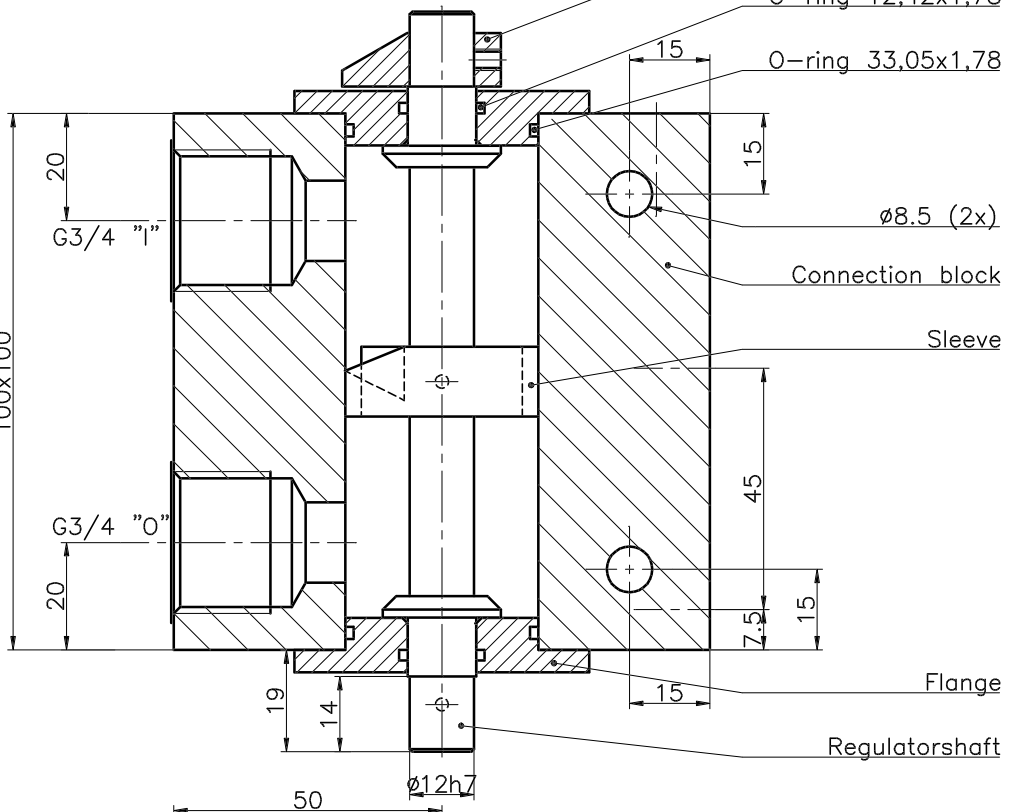
O-ring 12,42x1,78

O-ring 33,05x1,78



100x100

M5x8/10 (4x)



20

G3/4 "I"

G3/4 "O"

20

19

14

50

ø12h7

15

15

15

15

ø8.5 (2x)

Connection block

Sleeve

45

15

7.5

15

Flange

Regulatorshaft

50

25

